

POLIRAN

building drainage systems irrigation systems & solutions

German Technology



PUSH FIT PROTECT **Soundproof and Flame-Retardant**

- . Flame retardant according to DIN B1-4102 classification
- . Exceptional resistance to high temperature up to 95°C
- . Full range of pipe and fittings production from size 40 to 200 mm
- . Reduced noise transmission down to level 19 db (A) certified by Fraunhofer Institute Germany

[EN1451](#) | [EN 681-1](#) | [DIN 4102-B1](#) | [DIN 4109](#) | [VDI 4100](#)



PUSH FIT SILENT-10 **The most soundproof push-fit in the world**

- . Exceptional resistance to high temperature up to 95°C
- . Superior strength and durability, the best Superior alternative to cast iron
- . Suitable for underground installation, certified for BD application
- . Full range of pipe and fittings production from size 50 to 160 mm
- . Reduced noise transmission down to level 10 certified by Fraunhofer Institute Germany
- . Production of pipes with a three-layer structure using the latest co-extrusion technology
- . Flame retardant according to DIN 4102-B2 classification

[EN1451](#) | [EN 681-1](#) | [DIN 4102-B2](#) | [DIN 4109](#) | [VDI 4100](#) | [DIN 4102-B2](#)



PUSH FIT GENERAL SILENT **Optimized silent**

- . Soundproof until (A) 17 dB
- . Exceptional resistance to high temperature up to 95°C
- . Full range of pipe and fittings production from size 50 to 160 mm
- . Production of pipes with a three-layer structure using the latest co-extrusion technology
- . Flame retardant according to DIN 4102-B2 classification

[EN1451](#) | [EN 681-1](#) | [DIN 4109](#) | [VDI 4100](#) | [DIN 4102-B2](#)



HDPE Butt-fusion 6+ **PE100-PN6**

- . Suitable for underground installation, certified for BD application
- . Full range of pipe and fittings production from size 50 to 250 mm
- . The HDPE Butt-fusion building drainage system is poliran's latest polyethylene product, in which pipes and fittings are manufactured and offered with upgraded raw materials and updated production and molding technology using PE100, with an operating pressure exceeding 6 bar.

[EN 681-1](#) | [ISO 4427](#) | [EN 1519](#) | [EN 12201](#)



Competitive advantages



Gate trap + special clamp

Designed by poliran R&D unit Under patent with two-piece design and the ability to open the lower part, while maintaining the water-seal depth Suitable for preventing odor and contamination from spreading indoors, and also allows removal of severe blockages.

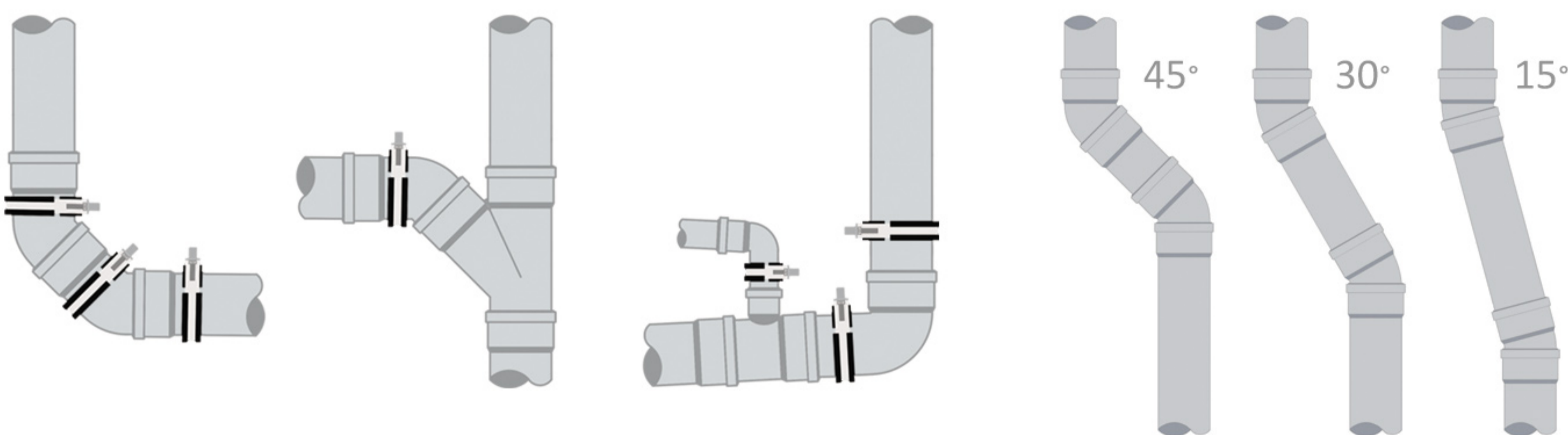
The special clamp of this gated trap is designed to facilitate installation and ensure technical compliance. By creating a 3° angle at the socket part, it facilitates slope alignment and ensures stable connection to the structure with two M10 bolts. This gated trap is offered in sizes 75 and 110 mm in all types of poliran push fit.

[Patent No. 69338 \(Registered\)](#)



Clamp-socket elbow / long elbow : enables correct clamp installation on joints at flow direction changes without stressing the gasket seat, thus preventing leakage issues.

Elbows with special angles : 15°, 30°, 67°: for pipe redirection in specific routes.



Flow redirection at the lowest drainage point to the main vertical stack

Horizontal branch connection

Installation of sitting toilet

Double offset with two elbows 15°, 20°, and 25°



Comprehensive rainwater system with special Expansion joint PE100-PN10

poliran's comprehensive rainwater system, by enabling integrated testing up to 150 meters water column (15 bar), is a reliable solution for rainwater drainage in high-rise buildings. This system, using the special Expansion joint designed and patented by poliran R&D unit, enables correct installation of the polyethylene system with controlled longitudinal changes caused by temperature variations.

[Approved by the Road, Housing and Urban Development Research Center.](#)

[Patent No. 101431 \(Registered\)](#)



Stand wall / Screw clamp : adjustable Weldable, RC clamp

This clamp, specially designed for building drainage systems with noise reduction, uses a special rubber insert that prevents vibrations from the flow from being transmitted to the structure and indoor environment.

The outstanding performance of this clamp in reducing noise transmission has been tested and approved by the renowned Fraunhofer Institute in Germany.

Available in sizes from 50 to 160 mm, in two stable models: electro-galvanized coating and Ultra-P with furnace-baked paint, suitable for highly corrosive environments such as northern and southern regions, industrial areas, swimming pools, etc.



Flexible conduits in sizes 20 - 25 - 32 - 40 - 50 mm

Applications :

- . Protection of building electrical wiring
- . Protection of CCTV cabling
- . Protection of water pipes or heating/cooling systems
- . Protection of network cables, suitable for data centers due to Halogen-Free material
- . Protection of essential power network cables in special-purpose buildings such as hospitals, metro stations, etc.

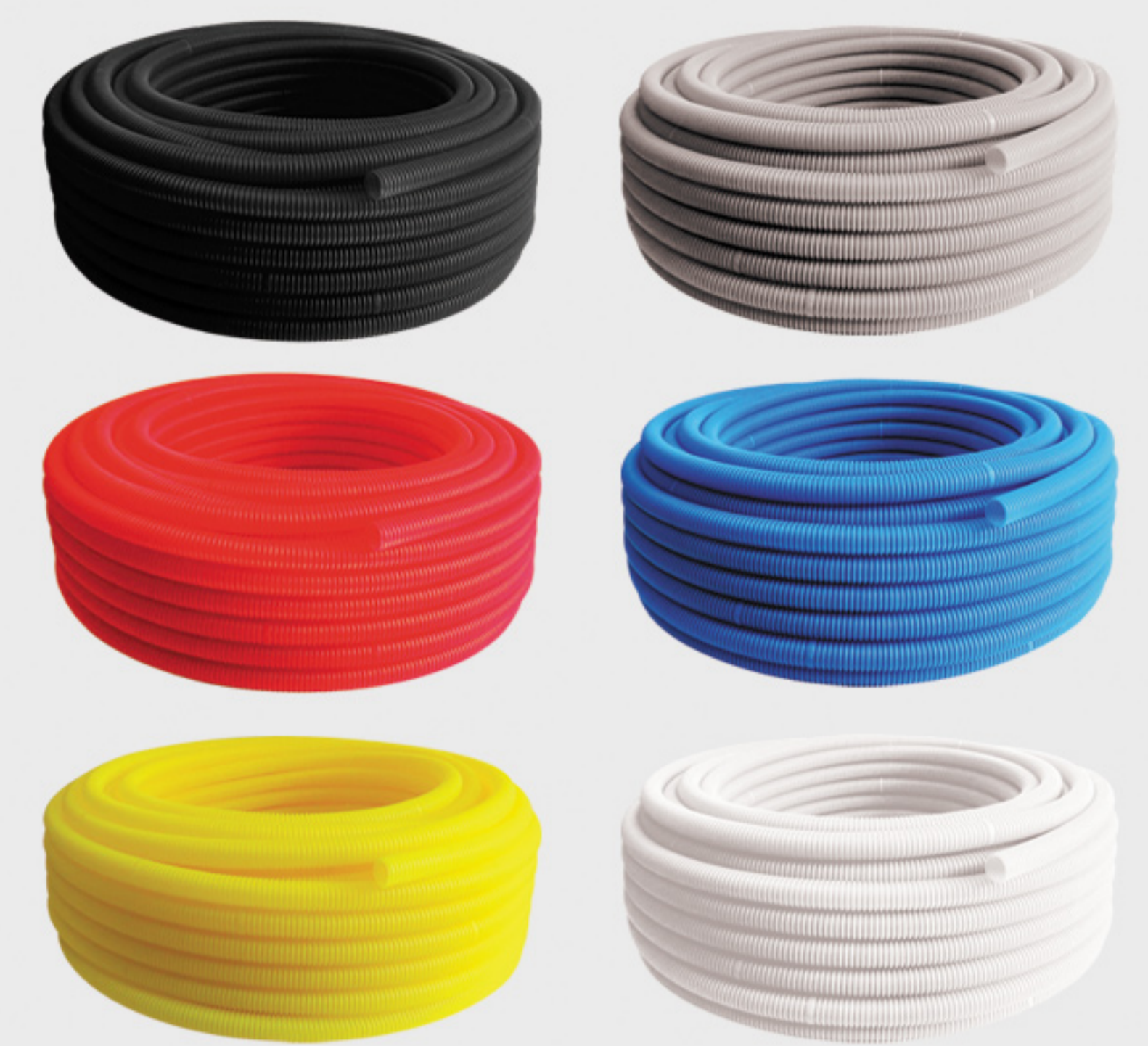
Available in two types :

PP-FC made of polypropylene, self-extinguishing, grey color

- . Reduces life risks during fire using Halogen-Free raw materials
- . Flame resistant and prevents fire spread according to DIN 4102 B1 classification

PE-FC made of polyethylene, in five colors : yellow, blue, red, black, and white

- . Suitable for outdoor use; black version is UV-resistant



Stand wall/Screw clamp : adjustable, Weldable

- . Made of galvanized steel sheet, corrosion- and rust-resistant, with a special coating reinforced with titanium dioxide; it offers strength, durability, and good resistance against various chemicals.
- . Available in sizes from 40 to 250 mm



Tools : Cutting & chamfering Tool / Pipe chamfering tool / Stopper

Push fit installation lubricant spray

poliran's lubricant spray is an innovative product with a special formulation, designed and produced for the first time in Iran by the poliran R&D team to facilitate the implementation of push fit systems, benefiting from the knowledge and practical experience of experts in this field.

By providing proper lubrication, this product facilitates the installation of various drainage and water supply pipes and fittings equipped with sealing rings, including press push fit systems, etc.



Drip pipes with flat drippers / sizes 16 and 20 mm

- . Production of 20 mm size for the first time in Iran
- . Produced with different and non-uniform spacing on one coil
- . Produced with the latest flat dripper available worldwide
- . Maximum self-cleaning due to the creation of two turbulent flows in the dripper
- . Resistant to ultraviolet (UV), acids, and agricultural chemicals
- . Equipped with three features simultaneously: Pressure Compensating (PC), Anti-Siphon (AS), and No-Drain (ND)
- . Manufactured using the finest raw materials with 100% purity for precise and long-lasting performance



Drip pipes with cylindrical drippers / size 16 mm

- . Pressure compensating and no-drain (PC, ND)
- . Available in models: Non-Pressure Compensating (NPC) and Pressure Compensating (PC)
- . Resistant to ultraviolet (UV), acids, and agricultural chemicals
- . Manufactured using the finest raw materials with 100% purity for precise and long-lasting performance



Drip-Tape with Turbo Flat Dripper / sizes 16 and 22 mm

- . Production of 22 mm size for the first time in Iran
- . Produced with different and non-uniform spacing on one coil
- . Resistant to ultraviolet (UV), acids, and agricultural chemicals
- . Using the latest plaque emitter in the world, ensuring excellent water distribution uniformity over long lengths
- . The most clog-resistant plaque, with two turbulent flows and permanent self-cleaning
- . Manufactured using the finest raw materials with 100% purity for precise and long-lasting performance



High-pressure Butt-fusion fittings PE100

- . Made of PE100 high-density (HD) material
- . Produced at nominal pressure PN6/SDR26, sizes 63 to 250 mm
- . Produced at nominal pressure PN10/SDR17, sizes 90 to 250 mm
- . Production of molded 45° tee, 10 bar, sizes 110 to 250 mm, for the first time in Iran
- . Extremely resistant to cracking caused by external pressures, corrosion, and abrasion
- . Certified by international standard BS EN 12201-3
- . Smooth and polished inner and outer surfaces, preventing sediment formation and pressure drop due to internal friction
- . Certified FOOD GRADE by the Ministry of Health for drinking water transmission



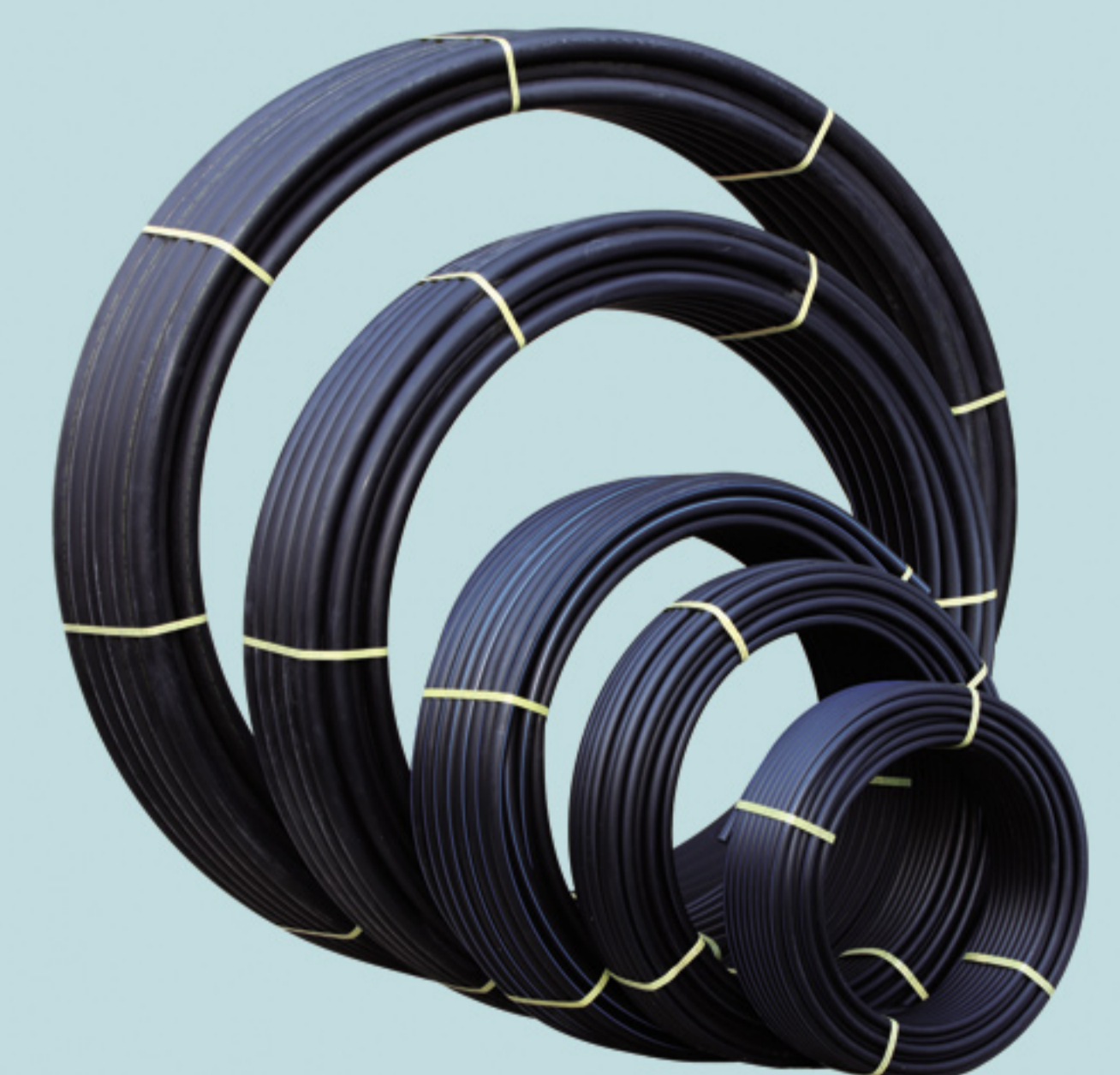
PP compression fittings

- . Complete and reliable sealing
- . Wide range of fittings from size 20 to 125 mm
- . Resistant to ultraviolet (UV)
- . Suitable for underground installation (below ground level)
- . Quick and easy installation without special tools
- . Made of polypropylene copolymer, nominal pressure 10 bar
- . Certified by international standard ISO 17885
- . Certified FOOD GRADE by the Ministry of Health for drinking water transmission
- . Suitable for underground installation (below ground level)
- . Quick and easy installation without special tools



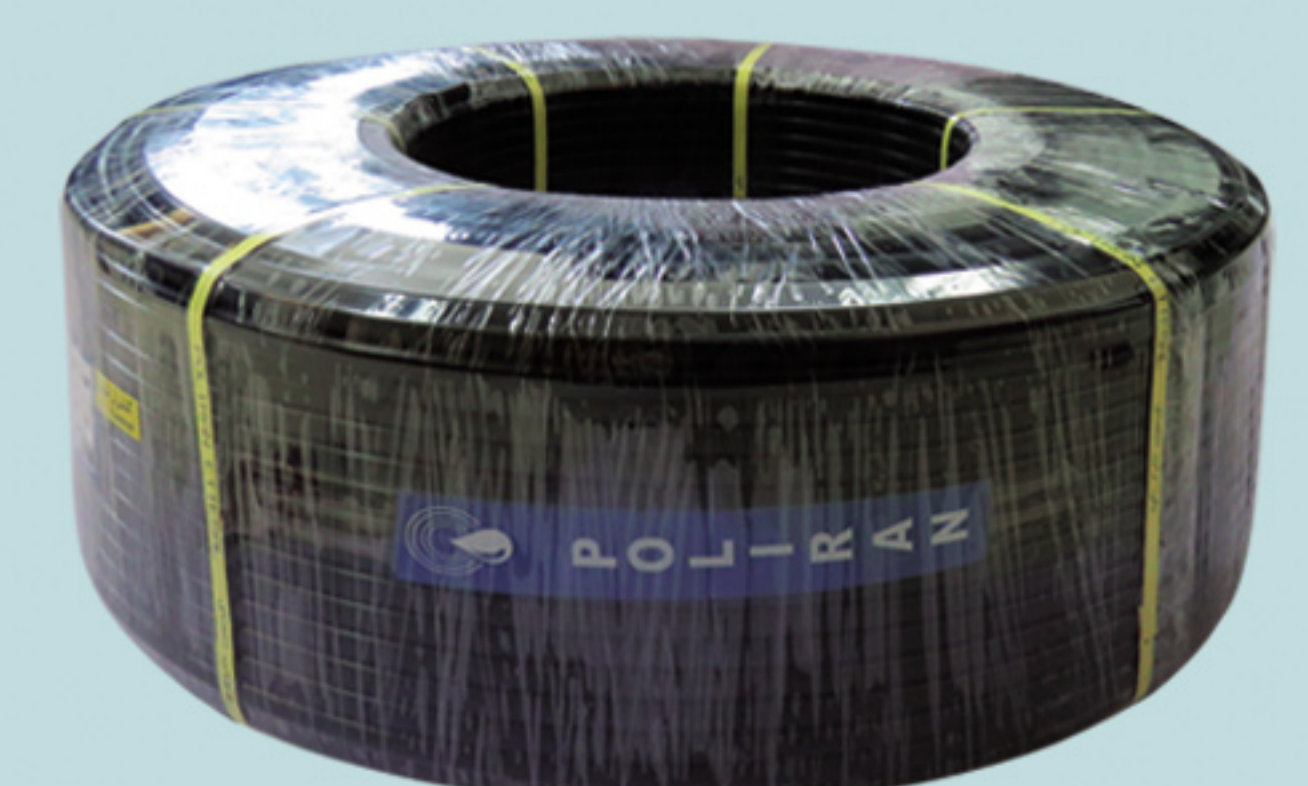
HD polyethylene pipes

- . Resistant to ultraviolet (UV)
- . Certified by national standard
- . Produced with PE80 and PE100 materials in 50 and 100 meter coils
- . Produced in sizes from 20 to 250 mm with nominal pressure 6 and 10 bar
- . Custom production with nominal pressures 4, 5, 8, 12.5, and 16 bar
- . Certified FOOD GRADE by the Ministry of Health for drinking water transmission



LD polyethylene pipes

- . Resistant to ultraviolet (UV)
- . Certified by national standard INSO 7607
- . Produced in sizes 16 and 20 mm with nominal pressure 3.2 and 4 bar
- . Produced with PE32 material in coils of 50, 100, 200, and 400 meters
- . Custom production with PE40 material in coils of 50, 100, 200, and 400 meters

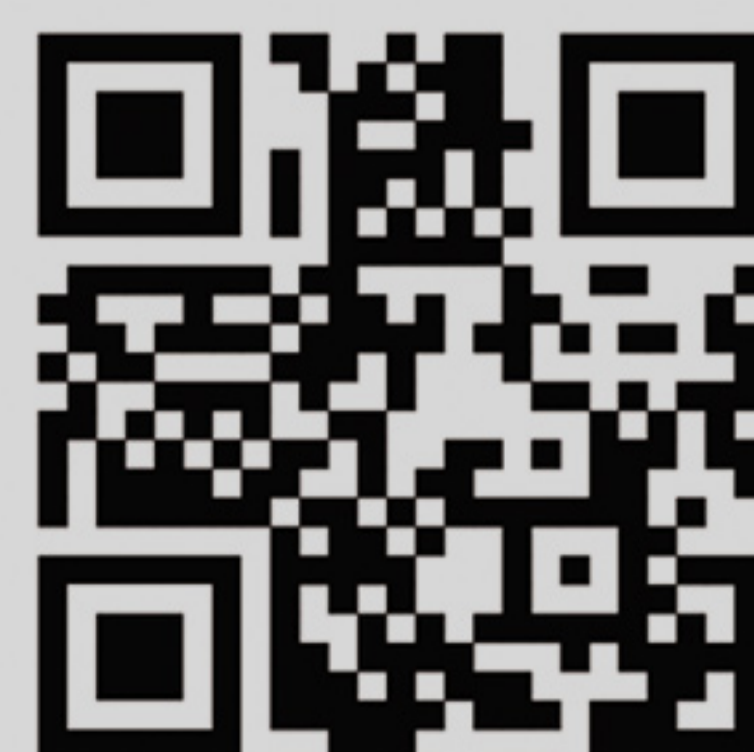


About poliran

poliran was founded in the early 1970s with the aim of transforming the polymer pipe and fittings industry and expanding it in the agricultural and building sectors of Iran. Today, after more than 50 years, poliran operates four advanced production units in Jajrood Industrial Zone of Tehran, employing nearly 1,000 staff. It is recognized as the largest and most reputable producer of polymer pipes and fittings in Iran, as well as a leading and innovative manufacturer in both agricultural and building sectors, proudly contributing to major national projects. By relying on the expertise and experience of local specialists and employing state-of-the-art equipment and technologies, poliran has consistently played a significant role in national production. With this foundation, it has also introduced competitive products comparable to the world's best, proudly used in European countries including Germany, as well as in neighboring countries. In the building sector, in 2003, poliran's R&D unit which constantly monitors global innovations transferred the technology of polypropylene push fit building drainage system from Germany to Iran. For the first time, it was introduced to the engineering and construction community of the country, marking a major transformation and remarkable progress in this field. In the agricultural irrigation and water supply sector, poliran, aiming to actively address the water shortage crisis with a consumption management and systematic saving strategy, has produced pipes and fittings for pressurized irrigation networks, drip pipes, and irrigation tapes with emitter plaques. These are manufactured using the latest global technology in compliance with national and international standards.



POLIRAN Building, No. 17,
Zagros St., Arjantin Sq.,
Tehran, Iran
Postal Code : 1516643311
Tel : +98 21 88648843
export.dep@poliran.org
WhatsApp : +98 912 9465921
www.poliran.org



Follow us on Social Media



Download Catalogs